



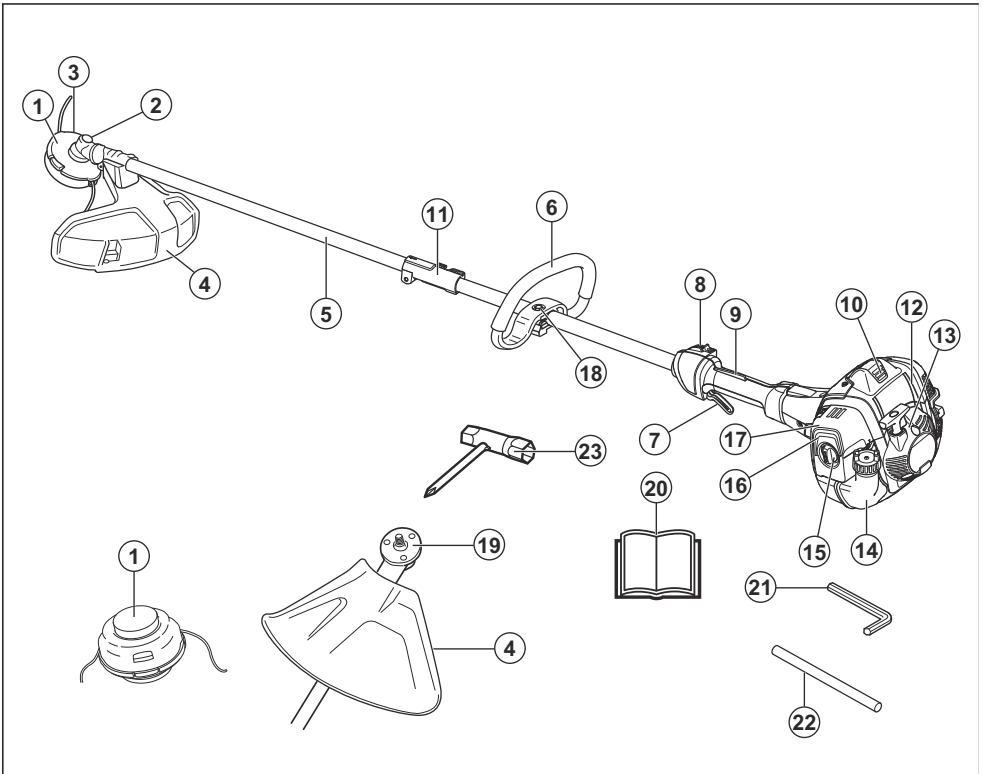
# Husqvarna®



## 525LK

EN	Operator's manual
ES-MX	Manual de usuario
FR-CA	Manuel d'utilisation

2-24
25-49
50-74



- |                      |                             |
|----------------------|-----------------------------|
| 1. Trimmer head      | 3. Bevel gear               |
| 2. Grease filler cap | 4. Cutting attachment guard |

5. Shaft
6. Loop handle
7. Throttle trigger
8. Stop switch
9. Throttle trigger lockout
10. Spark plug cap and spark plug
11. Shaft coupling
12. Cylinder cover
13. Starter rope handle
14. Fuel tank
15. Air filter cover
16. Air purge bulb
17. Choke control
18. Handle adjustment
19. Drive disc
20. Operator's manual
21. Hex key
22. Locking pin
23. Combination wrench

## **Symbols on the product**

